

Compare three different algorithms (MOPSO, SPEA2, NSGA-II) for Multi Objective Optimization of a novel Combined Cooling, Heating, and Power (CCHP) system based on organic Rankine cycle

Reza Asadi¹, Ehsanolah Assaerh^{1,2*}, Reza Poultangari^{1,2}, Ali Heidary Moghadam², Rahim Moltames³, Tahereh pirhoushyaran⁴

¹Department of Mechanical Engineering, Dezful Branch, Islamic Azad University, Dezful, Iran

²Materials and Energy Research Center, Dezful Branch, Islamic Azad University, Dezful, Iran

³Department of Energy Engineering, Energy Systems Engineering, Sharif University of Technology, Tehran, Iran

⁴Department of Chemical Engineering, Dezful Branch, Islamic Azad University, Dezful, Iran

Abstract

Recently Debates about Energy and the issue of global warming have led to the use of new energy. One of the best options for this purpose is the use of a new hybrid system of power, heating and refrigeration, with its thermal source of solar and geothermal energy. In the present study, used a combined cooling, heating and power system based on the organic Rankine cycle and the Ejector Refrigeration subsystem, which utilizes solar energy to supply energy and for pre-heating used the geothermal energy, proposed for supply cooling energy, heat energy and electrical power for the building in the south of the Iran (Behbahan city). In this proposed system, used the copper oxide/water nano-fluids in the flat plate solar collector, and used the R245fa, R123, R134a, and R600a in the CCHP system have been investigated as operating fluid. By analyzing the thermodynamic and thermos-economic sensitivity of the whole system, the effect of the volume fraction of the nanoparticle volume concentration CuO, the turbine inlet pressure, the solar collector surface, the solar collector tilt angle and the temperature difference of the steam generator pinch point checked for the four desired target functions (daily heat efficiency, Daily exergy efficiency, total heat exchanger surface, and total cost of the product). we found that the R123 fluid is the best refrigerant from the perspective of energy and exergy (maximum thermal and exergy efficiency) and the R600a refrigerant has the lowest level of heat exchangers and the best fluid from the economic point of view (minimum cost of total products).

Key words: solar energy, nano-fluid, optimization, CCHP system

*corresponding author: assaerh@iaud.ac.ir

1- Introduction

In recent years, the number of studies carried out on the different types of CCHP systems has increased due to the relevance of these systems in saving energy resources and reducing the environmental pollution. CCHP systems have higher productivity, less environmental pollution and improved security against unpredictable events, such as earthquakes, wars and so on, compared to separate systems for generation of cold, heat and power. El-Emam et al, conducted an economic and thermodynamic analysis on a geothermal system in Turkey and designed a converter for organic fluids using the concepts of energy and exergy. Energy values and exergy efficiency calculated at the optimum state were 37.16% and 8.48%, and the mass rates of organic fluid [1]. Haeseldonckx et al. [15] showed that using a storage tank prolongs the annual operation time in CHP installations and allows for constant activity of the PGU. They showed that TES reduces CO₂ emission by 1/3 of the reference sample without heat buffer. Wang and Ma [16] stated that a proper design for optimization systems should include a thermal energy saver. Modified linear programming has been widely used in previous studies for TES. Although, non-linear or dynamic programming can also be used, they need longer time to solve the problem or force convergence due to the large number of variables [17]. Henze et al. [18] developed an optimization strategy for water cooling units by a heat saver and used dynamic programming for optimization of cooling load to optimize the strategy of charge / discharge of the TES system. Yongliang et al. [19] studied a thermal energy storage system that saves surplus energy of the triple system in the form of compressed air and heating. They reported that the proposed system is very promising for practical applications, especially for renewable resources, due to its simple configuration and flexibility. Kian and Sedaghat [20] stated that a hybrid GCHP can be used as a solution to eliminate the problems associated with sizing conventional GCHP systems when heating and cooling loads are very high. Park et al. [21] analyzed the optimization of a combined hybrid GCHP with a cooling tower and concluded that performance coefficient and heat dissipation ratio in hybrid systems are 21% and 42% higher and lower, respectively, than those of a conventional GCH. Alavi et al. [22] suggested a method for optimizing hybrid heat pumps and used it in 10 different projects in order to reduce initial costs, capital return and operating costs and concluded that the proposed method can supply 80% of total capital cost. Li et al, conducted a thermo-economic analysis and compared a CO₂ power cycle and an organic Rankine cycle. They

concluded that the ground heat resource at low temperature for the organic fluid has an acceptable power [2]. Reyes et al, examined theoretically and experimentally the exergy of the solar heat pump system for heating air. They proposed a method for optimizing the evaporation and condensation temperatures of the refrigerant R22 [3]. Badescu [4] used the second law of thermodynamics to investigate the exergy of the direct expansion solar heat pump water heater and calculated system exergy efficiency values and exergy loss factors for each component. Dikici and Akbulut [5] conducted theoretical and experimental studies on a solar heat pump system at ambient conditions in Elazig city, Turkey. They reported second law efficiencies for compressor, condenser, evaporator and solar collector, i.e., 1.42%, 7.83%, 2.43% and 4.9%, respectively, and assessed the entire system exergy efficiency as 8.30%. The results show that thermal performance coefficient of the system increases as the amount of exergy losses in the evaporator are reduced.

2- System description

The proposed system, as shown in Fig. 1, consists of two main subsystems including a solar collector subsystem and a combined power, heating, and ejector refrigeration subsystem (CCHP subsystem). The CCHP subsystem consists of eight components: generator, turbine, heater, pumps, condenser, ejector, evaporator and expansion valves. The working fluid is pumped as the saturated liquid to the vapor generator (point 1) and its pressure is increased to the working pressure of the vapor generator (point 2). The high pressure and high temperature of the vapor generator are provided by heat generated from thermal resources including solar energy and geothermal energy. The output vapor of the vapor generator is expanded in the turbine and generates the mechanical output power of the entire system (point 3). The fluid in the turbine outlet (point 4) enters the heater heat exchanger to supply the heat for heating purposes. In order to provide demand cooling, the output condensed vapor of the condenser is separated into two flows. One flow returns back to the pump and the other flow goes to the expansion valve (point 8) and its pressure and temperature are decreased to the working pressure and temperature of the evaporator (point 9). Then the working fluid enters the evaporator to refrigeration by absorbing heat from the cold water. The solar collector subsystem includes a flat plate collector, a storage tank, and auxiliary boiler. Flat plate solar collectors are very common in domestic applications for its high performance and low cost. The storage tank is used to save energy in the case that the energy produced by the solar collectors are greater than the energy demand

of the entire system in order that the system can supply energy sustainably. The solar collector subsystem uses water/ copper-oxide nanofluid as the working fluid. Nanofluids, which are derived from the distribution of nanoparticles in conventional fluids, are a new generation of highly efficient fluids in industrial applications. The particles size used in nanofluids are from 1 nm to 100 nm. These nanoparticles include metal particles such as copper (Cu), silver, etc., or metal oxides such as aluminum oxide (Al₂O₃), copper oxide (CuO), and so on. Conventional heat transfer fluids commonly have a low thermal conductivity coefficient. Nanoparticles, due to their high conductivity and distribution in the base fluid (conventional fluids like water), increase the thermal conductivity of the fluid, which is considered as the fundamental parameter of heat transfer. Results of experimental researches show that adding nanoparticles to base fluid significantly increases the heat transfer coefficient in a nanofluid. Therefore, nanotubes are suitable alternatives for use in heat transfer applications. On the other hand, these nanoparticles have more stable suspensions than particles in micrometric dimensions. The heat transfer analysis was carried out using a nanofluid with a volumetric concentration of nanoparticles (ϕ) between 0 and 2% (water is considered as the base fluid). see Ref. [6] for analyzing the equations of heat transfer of nanoparticles. The values of the input parameters used in the simulation of the proposed system are shown in Table 1.

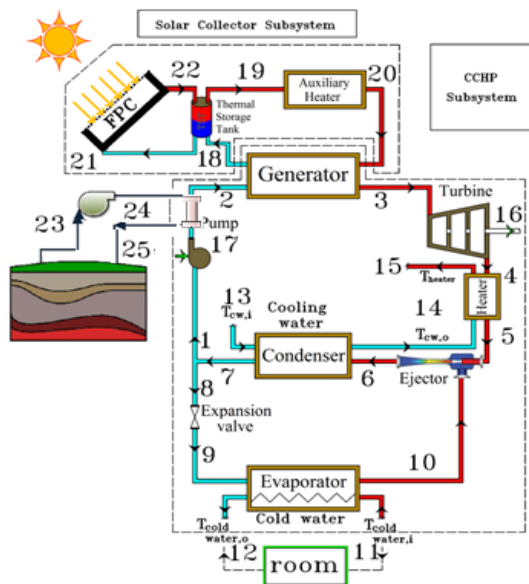


Figure 1. The detailed layout of the proposed combined system [7].

3- System performance

The performance of the combined system can be analyzed using thermal and exergy efficiency. The real thermal efficiency of the system is defined as the ratio of the useful output energy to the total input energy of the system, given by:

$$\eta_{ins\,tant} = \frac{\dot{W}_{out}}{\dot{E}_{in}} = \frac{\dot{W}_{NET} + \dot{Q}_e + \dot{Q}_{heater} + \dot{Q}_{con}}{\dot{E}_{in}} \quad (1)$$

The daily thermal efficiency is a better index than real thermal efficiency to evaluate the performance of the system and is given by the following equation:

Table 1. Input data for the system

Description	Parameter	Value
Ambient temperature	T _a (K)	296.98
Ambient pressure	P _a (kPa)	101.325
Solar radiation	H(J/m ² .h)	28242
Clearness index	K _T	0.677
Pump isentropic efficiency	η _p (%)	85
Turbine isentropic efficiency	η _T (%)	8
Pinch point temperature difference	ΔT _{Pinch} (°C)	6.6
The ejector nozzle efficiency	η _n (%)	85
The ejector mixing efficiency	η _m (%)	75
The ejector diffuser efficiency	η _d (%)	85
Turbine inlet pressure (R600a)	P ₃ (kPa)	1500
Turbine inlet pressure (R245faa)	P ₃ (kPa)	1500
Turbine inlet pressure (R123)	P ₃ (kPa)	700
Turbine inlet pressure (R134a)	P ₃ (kPa)	2100
The outer diameter of collector pipes	D _{O,FPC} (m)	0.018
The internal diameter of collector pipes	D _{i,FPC} (m)	0.014
The distance between collector pipes	W _{FPC} (m)	0.08
Solar collector dimensions	L ₁ *L ₂ (m ²)	2.99 (2.444*1.223)
Number of solar collectors	N _{FPC}	132
Flat plate solar collector area	A _{FPC} (m ²)	395
Storage tank outer diameter	D _{O,TST} (m)	2.1
Storage tank internal diameter	D _{i,TST} (m)	1.7
The storage tank wall thickness	t _{TST} (m)	0.006
The tilt angle of solar collectors	β(°)	13
Hydraulic diameter	D _h =2b(m)	0.008

Plate heat exchanger width	W(m)	1
Plate heat exchanger thickness	d_p (m)	0.002
The thermal conductivity of heat exchangers	$k_{plate-k_{tube}}$ (W/mK)	14.9-401
Shell and tube heat exchanger outer diameter	$D_{o,tube}$ (m)	0.015
Shell and tube heat exchanger internal diameter	$D_{i,tube}$ (m)	0.013

$$\eta_{th} = \frac{\int \dot{W}_{out}(t)dt}{\int \dot{E}_{in}(t)dt} \quad (2)$$

The time interval of the integral in the above equation is a day. In thermodynamics, exergy is the maximum possible amount of work that a system can produce and the exergy efficiency is defined as the ratio of the output exergy to the input exergy of the entire cycle which is calculated by the following equation:

$$\eta_{ex} = \frac{\int (\dot{W}_{NET} + \dot{E}x_e + \dot{E}x_{heater} + \dot{E}x_{con})dt}{\int \dot{E}x_{in} dt} \quad (3)$$

$\dot{E}x_{in}$ in the above equation is the sun exergy and is calculated by the following equation [8], [9]:

$$\dot{E}x_{in} = A_{Sc} G_t \left(1 + \frac{1}{3} \left(\frac{T_0}{T_{Sun}}\right)^4 - \frac{4}{3} \left(\frac{T_0}{T_{Sun}}\right)\right) \quad (4)$$

Where sun temperature (T_{sun}) is 6000K.

4- Thermoeconomic analysis

In economic analysis, the cost balance for each component of the system is written as follows:

$$\sum_{out} \dot{C}_{out,k} + \dot{C}_{w,k} = \dot{C}_{q,k} + \sum_{in} \dot{C}_{in,k} + \dot{Z}_k \quad (5)$$

$$\dot{C}_i = c_i \dot{E}_i \quad (6)$$

$$\dot{Z}_k = \dot{Z}_k^{CI} + \dot{Z}_k^{OM} \quad (7)$$

The cost balance (Eq. 5) shows that the total cost of output exergies is equal to the total cost of input exergies plus the investment and maintenance costs. All terms of the Eq. 5 are positive. Cost balance equations for each component of the system are shown in Table 2. The investment cost of the system in the present study includes the cost of purchasing components, installation costs, insulating costs, plumbing costs, and the cost of the control system. For each component of the system, it is expected to increase its investment cost by increasing its capacity or efficiency. The investment costs of combined system components are given by the following equations:

Pump [10]:

$$Z_P (\$) = 3540 \dot{W}_P^{0.71} \quad (8)$$

Heater, evaporator, and vapor generator [10]:

$$Z_{HE} (\$) = 130 \left(\frac{A_{HE}}{0.093} \right)^{0.78} \quad (9)$$

Condenser:

$$Z_c (\$) = 1773 \dot{m}_{r,c} \quad (10)$$

Turbine [11]:

$$\begin{aligned} \text{Log}_{10}(Z_T) (\$) &= 2.6259 + \\ &1.4398 \log_{10}(\dot{W}_T) - 0.1776 \left[\text{Log}_{10}(\dot{W}_T) \right]^2 \end{aligned} \quad (11)$$

Table 2. Cost balance and auxiliary equations for each component of the system

Component	Cost balance equation	Auxiliary equation
Pump	$\dot{C}_2 - \dot{C}_1 - \dot{C}_{W_p} = \dot{Z}_P$	$\frac{\dot{C}_{W_p}}{\dot{W}_P} = \frac{\dot{C}_{W_T}}{\dot{W}_T}$
Vapor generator	$\dot{C}_3 - \dot{C}_2 - \dot{C}_{19} + \dot{C}_{18} = \dot{Z}_g$	$\frac{\dot{C}_{19}}{\dot{E}_{19}} = \frac{\dot{C}_{18}}{\dot{E}_{18}}$
Turbine	$\dot{C}_{W_T} - \dot{C}_3 + \dot{C}_4 = \dot{Z}_T$	$\frac{\dot{C}_3}{\dot{E}_3} = \frac{\dot{C}_4}{\dot{E}_4}$
Heater	$\dot{C}_{15} - \dot{C}_{14} - \dot{C}_4 + \dot{C}_5 = \dot{Z}_h$	$\frac{\dot{C}_4}{\dot{E}_4} = \frac{\dot{C}_5}{\dot{E}_5}$
Ejector	$\dot{C}_6 - \dot{C}_5 - \dot{C}_{10} = \dot{Z}_{ejc}$	-
Condenser	$\dot{C}_{14} - \dot{C}_{13} - \dot{C}_6 + \dot{C}_7 = \dot{Z}_c$	$\frac{\dot{C}_6}{\dot{E}_6} = \frac{\dot{C}_7}{\dot{E}_7}$
Expansion valve and evaporator	$\dot{C}_{12} - \dot{C}_{11} - \dot{C}_8 + \dot{C}_{10} = \dot{Z}_e + \dot{Z}_{exv}$	$\frac{\dot{C}_8}{\dot{E}_8} = \frac{\dot{C}_9}{\dot{E}_9}$ $\frac{\dot{C}_8}{\dot{E}_8} = \frac{\dot{C}_{10}}{\dot{E}_{10}}$
Thermal storage tank	$(\dot{C}_{21} + \dot{C}_{19}) - (\dot{C}_{22} + \dot{C}_{18}) + \dot{C}_{L,ST} = \dot{Z}_{ST}$	$\frac{\dot{C}_{19}}{\dot{E}_{19}} = \frac{\dot{C}_{21}}{\dot{E}_{21}}$
Solar collector	$\dot{C}_{22} - \dot{C}_{21} - \dot{C}_{F,Sc} = \dot{Z}_{Sc}$	$\dot{C}_{F,Sc} = 0$

Flat plate solar collector²:

$$Z_{FPC}(\$) = 550 N_{Sc} \quad (12)$$

Thermal storage tank [12]:

$$Z_{ST}(\$) = 4042 .Vol_{ST}^{0.506} \quad (13)$$

In thermoeconomic analysis, all costs must be updated to the specified year as the base year. The cost index is used to update the cost values given by the following equation [14]:

$$C_B = C_O \times \frac{CI_B}{CI_O} \quad (14)$$

In this study, the cost indices provided by Marshall and Swift in 2013 are used to update costs [13].

The cost rate for the k^{th} component of the system is calculated as follows:

$$\dot{Z}_k = \left(\frac{Z_k \cdot CRF \cdot \phi}{t * 3600} \right) \quad (15)$$

Where ϕ is the maintenance factor (=1.06), and t is the number of operating hours of the system in a year (=7446 hours).

CRF in Eq. (15) is the capital recovery factor and is given by:

$$CRF = \frac{i(1+i)^N}{(1+i)^N - 1} \quad (16)$$

The system lifetime (N) and discount rate (i) are considered to be 20 years and 10%, respectively.

5- Validation

In order to evaluate the accuracy of the model, the values of some important parameters calculated in this study are compared with those of the Ref. [18] that are shown in Table 3. The Root-Mean-Square deviation (RMSE) is used to calculate the error. The value of this parameter is calculated as 0.7, which indicates the validity of the present work.

Table 3. Comparison of results calculated in this paper with those of the Ref. [18]

Parameter	Values calculated in this paper	Values presented in Ref. [7]
Vapor generator temperature, $T_g(K)$	395	395
Condenser temperature, $T_c(K)$	298	298
Evaporator temperature, $T_e(K)$	280	280
System input power, $Q_g(kW)$	251.65	254.30
Pump consumption power, $P_{pump}(kW)$	1.6	1.4
Turbine production power, $P_{Tur}(kW)$	27.4	29.3
Net production power, $P_{net}(kW)$	25.8	27.9
Thermal efficiency, $\eta_{Thm}(\%)$	36.64	34.1
Exergy efficiency, $\eta_{Exg}(\%)$	53.28	56.8

6- Results and discussion

Table 4 shows the thermodynamic characteristics including temperature, pressure, mass flow rate, enthalpy and entropy for different points of the combined system for R245fa working fluid. The operational parameters of the system are also shown in Table 5 for different working fluids. As shown in Table 5, the total input energies and exergies of the system are approximately the same for all the working fluids, and their values are 328.9 kW and 308.2 kW, respectively. The data from this table show that the highest daily thermal efficiency (η_{Thm}) and exergy efficiency (η_{Exg}) belongs to the R123 working fluid (38.61% and 17.03%, respectively) due to its higher output energy and exergy, while the lowest total cost rate (\dot{Z}_{total}) belongs to the R600a working fluid and its value is 10685 \$/year. The cost rate of each component of the system for different working fluids is shown in Table 6. According to Table 6, for R245fa working fluid, the storage tank shows the highest cost rate value (21169.42 \$/year) and heater shows the lowest cost rate value (318.01 \$/year).

² Data are obtained from Apricus corporation

Table 4. Thermodynamic properties for different points of the combined system for R245fa working fluid

Sta	Fluid	T(K)	P(MPa)	\dot{m} (kg/s)	h(kJ/kg)	s(kJ/Kg.K)
1	R245fa	298	0.149	1	232.3	1.113
2	R245fa	298.6	1.5	1	233.4	1.113
3	R245fa	383.9	1.5	1	482.7	1.806
4	R245fa	349	0.401	1	466.5	1.83
5	R245fa	331.5	0.401	1	448.1	1.776
6	R245fa	323.2	0.149	1.331	446.6	1.828
7	R245fa	293.6	0.149	1.331	226.4	1.093
8	R245fa	280	0.149	0.331	208.8	1.031
9	R245fa	280	0.0717	0.331	208.8	1.032
10	R245fa	280	0.0717	0.331	409.5	1.749
11	Water	293.2	0.3	2.647	59.02	0.2096
12	Water	287.2	0.3	2.647	84.12	0.2961
13	Water	293.2	0.3	14.01	84.12	0.2961
14	Water	298.2	0.3	14.01	105	0.3669
15	Water	333.2	0.14	0.126	251.3	0.8311
16	-	-	-	-	-	-
17	-	-	-	-	-	-
18	Water	388.2	1.5	3.424	483.7	1.473
19	Water	390.5	1.5	3.424	493.4	1.498
21	Water	390.5	1.5	3.424	493.4	1.498
22	Water	397.9	1.5	3.424	525	1.578

Table 5. Performance of the system for different working fluids

Parameter	R245fa	R123	R600a	R134a
Input energy, \dot{E}	328.956	328.956	328.956	328.956
Input exergy, \dot{E}_x (kW)	308.2	308.2	308.2	308.2
Daily thermal	30.38	38.61	15.54	36.45
Daily exergy efficiency,	5.636	17.03	1.064	14.71
Net power production,	15.02	50.47	2.121	49.47
Total cost rate, \dot{Z}_{total} (\$/year)	13938	19333	11246	19141

Table 6. Cost rate of each component of the combined system for different working fluids

Component	R245fa	R600a	R123	R134a
Pump	571.34	643.1	990.82	983.82
Vapor generator	2928	2006	3921	3914
Turbine	3187	3082.5	5800	5793
Heater	318.01	404.05	140.71	133.71
Ejector	2713	1806	4502	4495
Condenser	1945.8	3292.5	5984	5972
Expansion valve and evaporator	787.6	1600.1	878.8	866.8
Thermal storage tank	21169.42	21165.26	21162.54	21153.54
Solar collector	9039	9039	21162.54	9039

As already mentioned, the combination of water and CuO are also used in solar collector subsystem instead of pure water. The effect of volume fraction of CuO nanoparticles on operational parameters of the system, including thermal efficiency and exergy efficiency, has been investigated. The effect of increasing the volume fraction of CuO nanoparticles on thermal efficiency and exergy efficiency is shown in Fig. 2 and Fig. 3, respectively. Increasing the volumetric fraction of CuO nanoparticles up to 2% increases the heat transfer coefficient of the collector by 5.56%, in comparison with the water. By increasing this thermodynamic parameter (ϕ_{np}), the exergy efficiency of the combined system for the working fluids including R245fa, R600a, R123, and R134a increases by 4.4%, 4.85%, 4.6% and 2.91%, respectively.

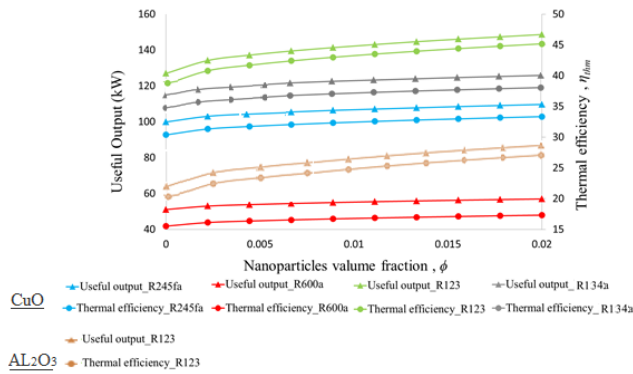


Figure 2. The effect of increasing volumetric fraction of CuO nanoparticles on the thermal efficiency and total output power

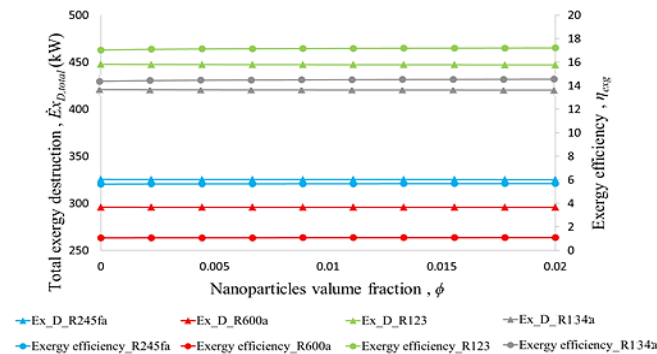


Figure 3. The effect of increasing volumetric fraction of CuO nanoparticles on the exergy efficiency and total exergy destruction

7- Optimization

In this section, the multi-objective optimization of the combined cycle is described. SPEA2, MOPSO, NSGA-II Algorithms are used to optimize the combined system and that code has been developed in MATLAB software. The summation of some important parameters including daily thermal efficiency, exergy efficiency, total heat exchangers area, and total cost rate of products are considered as the objective function and the affecting parameters of the system performance including solar collector area, solar collector tilt angle, volumetric fraction of CuO nanoparticles in water, pinch point temperature difference, and turbine inlet pressure are considered as decision variables in optimization algorithm. The feasible range of decision variables for different working fluids is shown in Table 7.

Table 7. The feasible range of decision variables for different working fluids

decision variable	R245fa	R600a	R123	R134a
Solar collector area (m^2)	375-500	375-500	375-500	375-500
Tilt angle (degrees)	5-30	5-30	5-30	5-30
Volumetric fraction (%)	0-2	0-2	0-2	0-2
Pinch point temperature difference ($^{\circ}C$)	5-10	5-10	5-10	5-10
Turbine inlet pressure (kPa)	1300-1630	650-1000	1330-1630	1300-1630

In this study, two scenarios are considered for multi-objective optimization of the system. The objective of the optimization in the first scenario is maximizing the thermal efficiency and exergy efficiency, and on the other hand, minimizing the total heat transfer area which can be written as follows:

$$\begin{aligned} \text{Max}(f_1(\varphi_{np}, P_{gen}, \Delta T_{Pinch}, \beta_{Sc}, A_{FPC}) = \\ w_1 \eta_{thm} + w_2 \eta_{exg} + w_3 (1 - A_{total})) \end{aligned} \quad (17)$$

Where w_1 is the weight of the thermal efficiency, w_2 is the weight of the exergy efficiency, and w_3 is the weight of the total heat exchanger area in the objective function. Constraints on the weights are written as follows:

$$0 \leq w_1, w_2, w_3 \leq 1 \quad (18)$$

$$w_1 + w_2 + w_3 = 1 \quad (19)$$

The objective of the optimization in the second scenario is simultaneously maximizing the thermal efficiency and exergy efficiency, and on the other hand, minimizing the total cost rate of products which can be written as follows:

$$\begin{aligned} \text{Max}(f_2(\varphi_{np}, P_{gen}, \Delta T_{Pinch}, \beta_{Sc}, A_{FPC}) = \\ w_4 \eta_{thm} + w_5 \eta_{exg} + w_6 (1 - \dot{C}_{total,P})) \end{aligned} \quad (20)$$

Where w_4 is the weight of the thermal efficiency, w_5 is the weight of the exergy efficiency, and w_6 is the weight of the total cost rate of products in the objective function. Constraints on the weights are written as follows:

$$0 \leq w_4, w_5, w_6 \leq 1 \quad (21)$$

$$w_4 + w_5 + w_6 = 1 \quad (22)$$

For each given weighting coefficients, different values are obtained for the objective function. In this study, 40 different weight coefficients are selected to evaluate the objective function. The weight coefficients corresponding to the greatest objective function value are the desired values. Table 8 shows the results obtained for the variables and objective functions for the first scenario and for different working fluids in comparison with the base case. Similarly, Table 9 shows the results obtained for the variables and objective functions for the second scenario and for different working fluids in comparison with the base case. For the first scenario, according to Table 8, R123 has the highest daily thermal efficiency and exergy efficiency with the values of 53.45% and 22.64%, respectively, while R600a has the lowest total heat exchanger with the value of 23.05 m². Similarly, for the second scenario, as shown in Table 9, R123 working fluid has the highest daily thermal efficiency and exergy efficiency compared to the R245fa, R600a, and R134a with the values of 52.57% and 22.23%, respectively. R600a shows the lowest total cost rate of products with the value of 9856 \$/year.

8-Conclusion

A novel combined cooling, heating, and power system driven by solar energy and geothermal energy based on organic Rankine cycle was investigated in the present study. The performance of the combined system was evaluated using two important indices including daily thermal efficiency and daily exergy efficiency. The high thermal and exergy efficiencies are not only purposes of a system design. For instance, the lower total heat exchanger area and total cost rate of products can be considered as important advantages of a CCHP system. For this reason, the summation of four mentioned parameters including daily thermal efficiency, daily exergy efficiency, total heat exchanger area, and total cost rate of products are considered as the objective function of the system optimization in two scenarios. The main results obtained from this study can be summarized as follows:

First scenario:

- I. Implementation of the optimization algorithm improves daily thermal efficiency by SPEA2(11.02%, 18.53%, 35.84%, 28.28%) MOPSO(14.3%, 24.9%, 38.43%, 31.0%) NSGA-II(14.25%, 19.24%, 38.20%, 30.64%) for the R245fa, R600a, R123, and R134a working fluids, respectively.
- II. R123 has the highest daily thermal efficiency and exergy efficiency with the values of 52.45% and

21.64%, respectively, while R600a has the lowest total heat exchanger with the value of 22.05 m².

Second scenario:

- I. Implementation of the optimization algorithm improves daily thermal efficiency by SPEA2(1.9%, 14.73%, 30.97%, 28.66%) MOPSO(1.15%, 21.17%, 38.1%, 34.1%) NSGA-II(1.42%, 19.24%, 34.60%, 32.26%) for the R245fa, R600a, R123, and R134a working fluids, respectively.
- II. R123 has the highest daily thermal efficiency and exergy efficiency with the values of 50.57% and 21.23%, respectively, while R600a has the lowest total heat exchanger with the value of 22.05 m².

Table 8. The results obtained for the variables and objective functions for the first scenario using three Algorithms in comparison with the Base Case (BC)

Parameters	R245fa				R600a				R123				R134a			
	BC	MOPSO	SPEA2	NSGA-II	BC	MOPSO	SPEA2	NSGA-II	BC	MOPSO	SPEA2	NSGA-II	BC	MOPSO	SPEA2	NSGA-II
η_{thm} (%)	30.38	34.73	33.73	34.71	15.54	19.42	18.42	19.35	38.61	53.45	52.45	53.36	36.45	47.76	46.76	47.62
η_{exg} (%)	5.636	5.75	5.65	5.82	1.064	1.91	1.81	1.85	17.03	22.64	21.64	22.51	14.71	19.12	18.12	18.89
A_{total} (m ²)	56.34	48.83	49.83	48.96	24.3	23.05	22.05	22.86	85.39	88.93	87.93	88.86	82.39	76.62	75.62	76.43
Φ_{np} (-)	0.00	0.000463	0.000463	0.000463	0.00	0.01885	0.01885	0.01885	0.00	0.02	0.02	0.02	0.00	0.0193	0.0193	0.0193
P_3 (kPa)	1500	1311	1311	1310	1500	1504	1504	1504	700	650.2	650.2	650.2	2100	790	790	790
ΔT_{pinch} (°C)	6.6	9.969	9.969	9.967	6.6	5.02	5.02	5.02	6.6	5.002	5.002	5.001	6.6	5.12	5.12	5.12
β_{sc} (°)	13	17.94	17.94	17.90	13	29.92	29.92	29.87	13	28.98	28.98	28.97	13	29.56	29.56	29.54
A_{FPC} (m ²)	395	499.4	499.4	498.8	395	379.8	379.8	379.6	395	375	375	374.6	395	387	387	387

Table 9. The results obtained for the variables and objective functions for the second scenario using Three Algorithms in comparison with the Base Case (BC)

Parameters	R245fa				R600a				R123				R134a			
	BC	MOPS O	SPEA 2	NSGA- II	BC	MOPSO	SPEA 2	NSGA- II	BC	MOPS O	SPEA2	NSGA- II	BC	MOPS O	SPEA2	NSGA-II
η_{thm} (%)	30.38	30.73	30.96	30.81	15.54	18.83	17.83	18.53	38.61	52.57	50.57	51.97	36.45	48.9	46.9	48.21
η_{exg} (%)	5.636	5.94	5.74	5.83	1.064	1.908	1.608	1.863	17.03	22.23	21.23	21.56	14.71	19.03	16.03	18.77
$C_{p,total}$ (\$/year)	13331	12403	12373	12390	10685	9856	9926	9889	18683	17403	17653	17523	18285	15847	15937	15850
Φ_{np} (-)	0.00	0.00	0.00	0.00	0.00	0.00231	0.00231	0.00231	0.00	0.01761	0.01761	0.01761	0.00	0.018	0.018	0.018
P_3 (kPa)	1500	1488	1488	1489	1500	1330	1330	1331	700	655.3	655.3	655.5	2100	780	780	781
ΔT_{pinch} (°C)	6.6	9.868	9.868	9.867	6.6	8.89	8.89	8.90	6.6	5.124	5.124	5.120	6.6	5.01	5.01	5.01
β_{sc} (°)	13	15.25	15.25	15.25	13	12.934	12.934	12.935	13	29.75	29.75	29.81	13	29.91	29.91	29.90
A_{FPC} (m ²)	395	375.9	375.9	375.7	395	389.4	389.4	389.6	395	377.3	377.3	377.4	395	382.7	382.7	382.8

References

- [1] El-Emam R.S., and Dincer I., "Exergy and exergoeconomic analyses and optimization of geothermal organic Rankine cycle", *Applied Thermal Engineering* 2013; 59:435-444.
- [2] Li M., and Wang J., "Thermo-economic analysis and comparison of a CO₂ transcritical power cycle and an organic Rankine cycle", *Geothermics* 2014; 50:101-111.
- [3] Torres-Reyes E, Picon Nunez M, Cervantes de Gortari J. "Exergy analysis and optimization of a solar-assisted heat pump." *Energy* 1998; 23:337-344.
- [4] Badescu V. "First and second law analysis of a solar assisted heat pump based heating system." *Energy Convers Manage* 2004; 43:2539-2552.
- [5] Aydın Dikici, Abdullah Akbulut. "Performance characteristics and energy-exergy analysis of solar-assisted heat pump system." *Building and Environment*; 2008; 43:1961-1972.
- [6] T. Yousefi, F. Veysi, E. Shojaeizadeh, S. Zinadini, An experimental investigation on the effect of Al₂O₃-H₂O nanofluid on the efficiency of flat-plate solar collectors, *Renewable Energy* 2012; 39(1):293-298.
- [7] Zheng, B. and Y. Weng, *A combined power and ejector refrigeration cycle for low temperature heat sources*. *Solar Energy*, 2010. 84(5): p. 784-791.
- [8] R. Petela, "Exergy of undiluted thermal radiation," *sol, Energy*, vol. 74, no. 6. pp. 469-488, jun. 2003.
- [9] C. Zamfirescu and I. Dincer, "how Much Exergy one can obtain from incident solar radiation?," *j. appl. Phys.*, vol. 105, no. 4, p. 044911, Feb. 2009.
- [10] F. Mohammadkhani, N. Shokati, S. M. S. Mahmoudi, M. Yari, and M. A. Rosen, "Exergoeconomic assessment and parametric study of a Gas Turbine-Modular Helium Reactor combined with two Organic Rankine Cycles," *Energy*, vol. 65, pp. 533-543, Feb. 2014.
- [11] R. S. El-Emam and I. Dincer, "Exergy and exergoeconomic analyses and optimization of geothermal organic Rankine cycle," *Appl. Therm. Eng.*, vol. 59, no. 1-2, pp. 435-444, Sep. 2013.
- [12] S. Martínez-Lera, J. Ballester, and J. Martínez-Lera, "Analysis and sizing of thermal energy storage in combined heating, cooling and power plants for buildings," *Appl. Energy*, vol. 106, pp. 127-142, Jun. 2013.
- [13] A. Bejan, G. (George) Tsatsaronis, and M. J. Moran, *Thermal design and optimization*. Wiley, 1996.
- [14] F. A. Boyaghchi and P. Heidarnajad, "Thermoeconomic assessment and multi objective optimization of a solar micro CCHP based on Organic Rankine Cycle for domestic application," *Energy Convers. Manag.*, vol. 97, pp. 224-234, Jun. 2015.
- [15] Haeseldonckx D, D'haeseleer W. The environmental impact of decentralised generation in an overall system context. *Renew Sustain Energy Rev* 2008; 12:437-454.
- [16] Wang S, Ma Z. Supervisory and optimal control of building HVAC systems: a review. *HVAC&R Res* 2008; 14:3-32.
- [17] Yokoyama R, Matsumoto Y, Ito K. Optimal sizing of a gas turbine cogeneration plant in consideration of its operational strategy. *J Eng Gas Turbines Power* 1994; 116:32.
- [18] Henze GP, Biffar B, Kohn D, Becker MP. Optimal design and operation of a thermal storage system for a chilled water plant serving pharmaceutical buildings. *Energy Build* 2008; 40:1004-1019.
- [19] Li Y, Wang X, Li D, Ding Y. A trigeneration system based on compressed air and thermal energy storage. *Appl Energy* 2012; 99:316-323.
- [20] H. Kian, A. Sedaghat, Multi-Criteria Optimization of a solar cooling system assisted ground source Heat Pump system, *Modares Mechanical Engineering* 2016; 16(1):51-62 (in Persian).
- [21] H. Park, J. Lee, W. Kim, Y. Kim, Performance optimization of a hybrid ground source heat pump with the parallel configuration of a ground heat exchanger and a supplemental heat rejecter in the cooling mode, *international Journal of refrigeration* 2012; 35(6):1537-1546.

- [22] M. Alavy, HV. Nguyen, WH. Leong, SB. Dworkin, A methodology and computerized approach for optimizing hybrid ground source heat pump system design. *Renewable Energy* 2013; 57:404-412.